



# New Lighting Tool Cordline

Economical lighting situation for effective scene setting in salesrooms

# Cordline

## **The new linear lighting system, Cordline. Economical lighting situation for effective scene setting in salesrooms.**

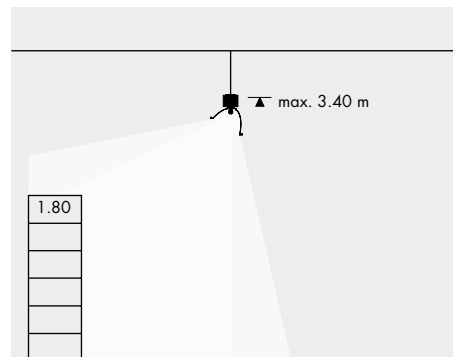
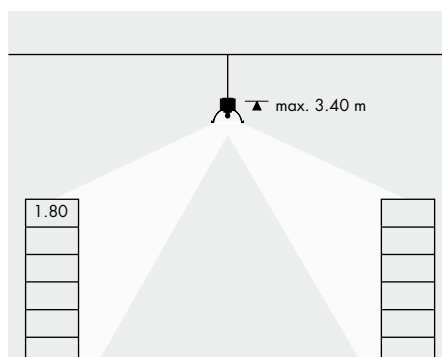
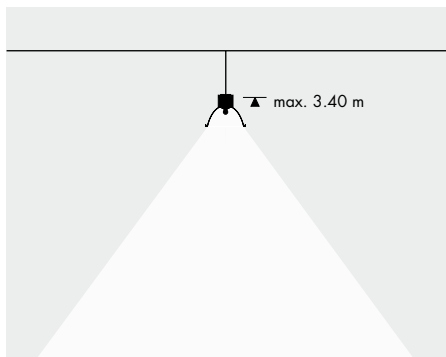
With Cordline, Ansorg provides an efficient linear strip lighting system for lighting in supermarkets and large-area salesrooms. Cordline is impressive because of its variety of lighting appearances and its timeless design.

Toolless and easy, fast mounting combined with qualitatively high-quality reflector equipment make Cordline an ideal tool for complete lighting solutions.

With its specific reflectors from wide-beam, asymmetrical to double asymmetrical, Cordline is particularly suited to merchandise-related lighting with economical T5 lamps.

### **Application features:**

- Simple and fast configuration of the system (continuous mounting)
- Reduction of the installation time
- Flexible system - lighting modules can be replaced, as required, without great effort and expenditure
- Modularity permits implementation of customised lighting needs
- Economical lamp technology
- High-quality reflector technology (high operating efficiencies)
- High vertical luminous intensities on the merchandise
- Modular carrier optionally with integrated power track, emergency lighting function or in a dimmable version
- Supporting rails with integrated cabling, 5-pole or 7-pole



# Cordline



Cordline  
↗ 5

<b>Mounting</b>	for ceiling mounting for suspended mounting	• •
<b>Lighting technology</b>	T5/G5 35 W T5/G5 49 W T5/G5 80 W	• • •
<b>Ballast</b>	electronic ballast incl.	•
<b>Type of reflector</b>	asymmetrical double-asymmetrical wide angle	• • •

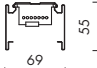






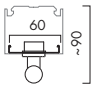
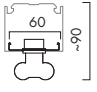

- Lighting technology T16/G5
- Lighting row system for fluorescent lamps
- for surface or suspended mounting
- Quick mounting of the individual profiles without the use of tools
- Design of the profiles in white or silver
- Connection data: electronic ballast, 230-240V, 35 (38)W, 49(53)W, 80 (85)W, 2x49(110)W, 2x80(165) W

Pre-wired carrier system, plug-in connection to three-phase network possible (phase selection).



**Basics**

Mounting rail T5	L = 1490 mm		1,95 kg	5-pole, 2,5 mm <sup>2</sup>	<b>Article numbers</b>
	L = 2970 mm		2,05 kg	7-pole, 2,5 mm <sup>2</sup>	<b>06 MSP 1150-..</b>
			3,9 kg	5-pole, 2,5 mm <sup>2</sup>	<b>06 MSP 1170-..</b>
			4,1 kg	7-pole, 2,5 mm <sup>2</sup>	<b>06 MSP 1250-..</b>
					<b>06 MSP 1270-..</b>
Connector for mounting rail			0,2 kg		<b>06 MSP 0020</b>
End cap for mounting rail			2 items per unit		<b>06 MSZ 0001-..</b>
Plastic cover			0,2 kg		<b>06 MSZ 1100-..</b>

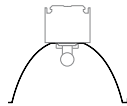
Device mount	for T5 lamps		1,2 kg	1 x 49 W	<b>06 MSL 1320-..</b>
			1,6 kg	1 x 49 W with emergency light 1 h	<b>06 MSL 1321-..</b>
			1,2 kg	1 x 49 W dimmable 1-10V	<b>06 MSL 1330-..</b>
			1,2 kg	1 x 80 W	<b>06 MSL 1520-..</b>
			1,6 kg	1 x 80 W with emergency light 1 h	<b>06 MSL 1521-..</b>
			1,2 kg	1 x 80 W dimmable 1-10V	<b>06 MSL 1530-..</b>
	for T5 lamps, multiwatt electronic ballast		1,6 kg	1 x 35 W/49 W/80 W	<b>06 MSL 1620-..</b>
	for 2xT5 lamps		1,5 kg	2 x 49 W	<b>06 MSL 2320-..</b>
			1,9 kg	2 x 49 W with emergency light 1 h	<b>06 MSL 2321-..</b>
			1,5 kg	2 x 49 W dimmable 1-10V	<b>06 MSL 2330-..</b>
			1,5 kg	2 x 80 W	<b>06 MSL 2520-..</b>
	with track for the use of spotlights with 3-circuit adapter		2,1 kg		<b>06 MSP1130-..</b>

# Cordline

\* Lighting elements

Reflector

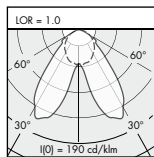
double-asymmetrical



0,45 kg

L = 1500 mm

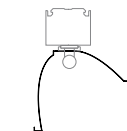
Article numbers  
06 MSZ 0110



CO_180		E [lx/klm]	
h [m]			
1.0	180	190	
2.0	350	50	
3.0	530	20	
4.0	700	15	
ø [cm]			

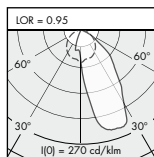
C90_270		E [lx/klm]	
h [m]			
1.0	260	190	
2.0	520	50	
3.0	775	20	
4.0	1030	15	
ø [cm]			

asymmetrical



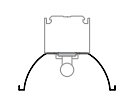
0,62 kg

L = 1500 mm 06 MSZ 0310



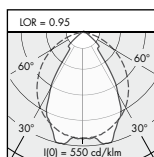
E [lx/klm]	
h [m]	
0.5	0
1.0	240
1.5	270
2.0	120
2.5	50
3.0	30

wide angle



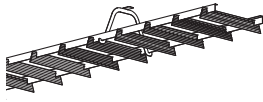





0,60 kg

L = 1500 mm 06 MSZ 0610



CO_180		E [lx/klm]	
h [m]			
1.0	130	540	
2.0	260	135	
3.0	385	60	
4.0	515	35	
ø [cm]			

C90_270		E [lx/klm]	
h [m]			
1.0	260	540	
2.0	515	135	
3.0	770	60	
4.0	1030	35	
ø [cm]			

	Cross blade louvre	wide angle		0,41 kg	L = 1500 mm	<b>Article numbers</b> 06 MSZ 0100
<b>+ Fixing piece</b>	for ceiling mounting	Suspension bracket		0,02 kg		06 MSZ 0003
		Suspension bracket for plaster board ceilings		0,03 kg		06 MSZ 0004
	for suspended mounting	Wire suspension, adjustable for height		0,3 kg	L = 1500 mm L = 3000 mm L = 6000 mm	06 MSZ 0114 06 MSZ 0215 06 MSZ 0216
		Wire suspension with electrical connection, adjustable for height		0,6 kg	L = 1500 mm L = 3000 mm L = 6000 mm	06 MSZ 0104 06 MSZ 0205 06 MSZ 0206
		Bracket for chain suspension				06 MSZ 0002
<b>+ Lamps</b>	T5/G5 35/49/80 W		Information about lamps see catalogue.			

**Order information**

Article numbers ending on -.. are to be supplemented by the colour code.  
 Colour code ..01 = white / ..10 = silver  
 Further colours on request.

## Ansorg Companies Offices & Showrooms

### Germany

Ansorg GmbH  
Pilgerstraße 11  
D-45473 Mülheim an der Ruhr  
T +49 (0)208 48 46 0  
F +49 (0)208 48 46 1200  
info@ansorg.com

### France

Ansorg SARL  
3, rue Caroline  
F-75017 Paris  
T +33 (0)1 44 69 95 10  
F +33 (0)1 44 69 95 11  
info-fr@ansorg.com

### Spain

Ansorg Spain  
Marqués de Villamejor, 5  
E-28006 Madrid  
T +34 91 575 51 59  
F +34 91 578 32 17  
info-es@ansorg.com

Ansorg Spain  
Plaza Comercial 5  
E-08003 Barcelona  
T +34 93 268 87 05  
F +34 93 268 87 02  
info-es@ansorg.com

### Italy

Ansorg SRL  
Via IV Novembre, 6/C  
I-35010 Limena (PD)  
M +39 346 521 54 13  
info-it@ansorg.com

### United Kingdom

Ansorg Ltd.  
Units 315/316  
Business Design Centre  
52 Upper Street  
Islington  
GB-London  
NI OQH  
T +44 (0)20 72 88 96 10  
F +44 (0)20 73 54 10 21  
info-gb@ansorg.com

### The Netherlands

Ansorg B.V.  
Gebouw 20  
De Oude Molen 4  
NL-1184 VW Ouderkerk  
aan de Amstel  
T +31 (0)20 5 69 38 40  
F +31 (0)20 5 69 38 41  
info-nl@ansorg.com

### Switzerland

Ansorg AG  
Klünenfeldstraße 22  
CH-4127 Birsfelden  
T +41 (0)61 376 15 12  
F +41 (0)61 376 15 07  
info-ch@ansorg.com

### Norway

Ansorg AS  
Post Box 25, Sagene  
N-0415 Oslo  
M +47 908 42 041  
info-no@ansorg.com

### Sweden

Ansorg AB  
P.O. B-ox 204  
S-746 39 Bålsta  
M +46 70 64 88 110  
info-se@ansorg.com

### United Arab Emirates

Ansorg GmbH Dubai Branch  
Bldg. Sheikha Sana Mana al  
Maktoum  
Office M8 Al Wasl  
Sheikh Zayed Road  
P.O. Box 214771  
Dubai, UAE  
T +971 (0)4 321 92 03  
F +971 (0)4 321 92 04  
info-ae@ansorg.com

### India

Ansorg India Private Limited  
305 Jaswanti Landmark  
Mehara Compound  
L B S Road  
Vikhroli (W)  
Mumbai 400 079  
India  
T +91 (0)22 4012 97 62/63  
F +91 (0)22 4012 98 04  
info-in@ansorg.com

## Ansorg Partners/Sales Agents

### Ansorg in Australia

Distributed by  
Radiant Lighting  
10 Gibberd Road  
Balcatta  
AUS-Western Australia 6021  
T +61 (0)8 9240 22 27  
F +61 (0)8 9240 11 78  
sales@lcl.com.au  
www.lcl.com.au

### Ansorg in Finland

Distributed by  
aLUMEN Oy  
Nilsjätkatu 10 - 14 A  
FIN - 00510 Helsinki  
T +358 (0)403 100 031  
F +358 (0)9 5495 6861  
Markku@alumen.fi  
www.ansorg.fi

### Ansorg in Greece, Cyprus

Distributed by  
Kyvernitis  
125 G. Papandreou St.  
GR-14451 Metamorfoosi, Athens  
T +30 (0)210 285 57 77  
F +30 (0)210 285 57 78  
info@kyvernitis.com  
www.ansorg.gr

### Ansorg in Ireland

Distributed by  
DesignLight Ireland Ltd.  
289 Harolds Cross Road  
IRL-Dublin 6 W  
T +353 (0)1 496 61 77  
F +353 (0)1 496 68 51  
info@designlight.com  
www.designlight.com

### Ansorg in Korea

Distributed by  
1102-1103 SUNGJEE STARWITH  
954-6 GWANYANG-DONG,  
DONGAN-GU,  
ANYANG-SI, GYEONGGI-DO,  
463-060  
REPUBLIC OF KOREA  
T +82 31 345 0345  
F +82 31 345 0354  
sjllighting@yahoo.co.kr  
www.sjllighting.com

### Ansorg in Russia

Distributed by  
Perigeo di Bredariol Morena  
5/7, bld.2, office 10,  
Vorontsovskiy per.  
RUS-Moscow 109044  
T +7 495 741 98 77  
M +7 925 128 76 58  
info@perigeo.biz  
www.perigeo.biz

### Ansorg in Portugal

Distributed by  
Astratec, Iluminacao Lda.  
Rua da Guiné, No. 25-1°  
PRT - 2685 336 Prior Velho  
T +351 (0)219 428 830  
F +351 (0)219 400 305  
joana.silva@astratec.pt  
www.astratec.pt

### Ansorg in South Africa

Distributed by  
Shopfit Group  
Retail Lighting co.  
136 Paterson Road, North End  
ZA-6001 Port Elizabeth  
T +27 (0)82 451 85 05  
F +27 (0)86 514 03 14  
ian@shopfitgroup.co.za  
www.shopfitgroup.co.za

### Ansorg in South East Asia

Distributed by  
MOSAIC EINS Co. Ltd.  
97 Chakenjate 2 Road  
Themsirin, Pomprab  
T-10100 Bangkok  
T +66 (0)2 621 8200  
F +66 (0)2 621 8180  
M +66 (0)81 832 99 13  
michael.eiting@mosaiceins.com  
www.mosaiceins.com

For other countries:

**Ansorg GmbH**  
Pilgerstraße 11  
D-45473 Mülheim an der Ruhr  
T +49 (0)208 48 46 0  
F +49 (0)208 48 46 1200  
info@ansorg.com